

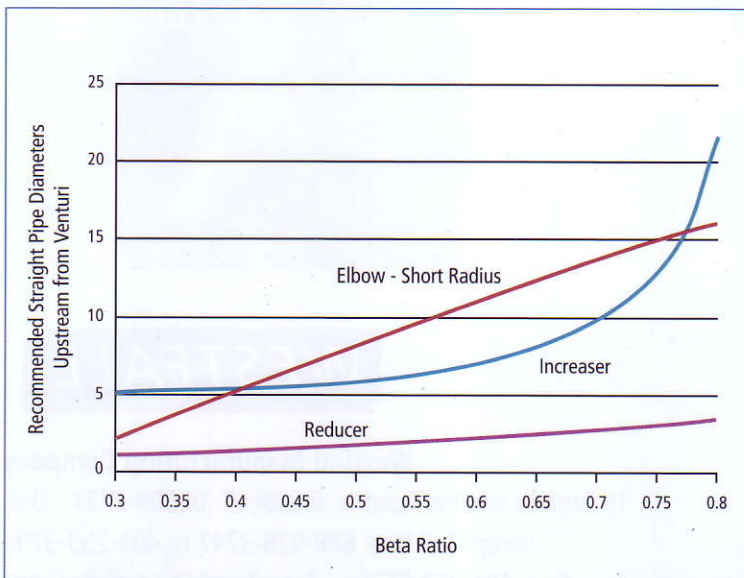
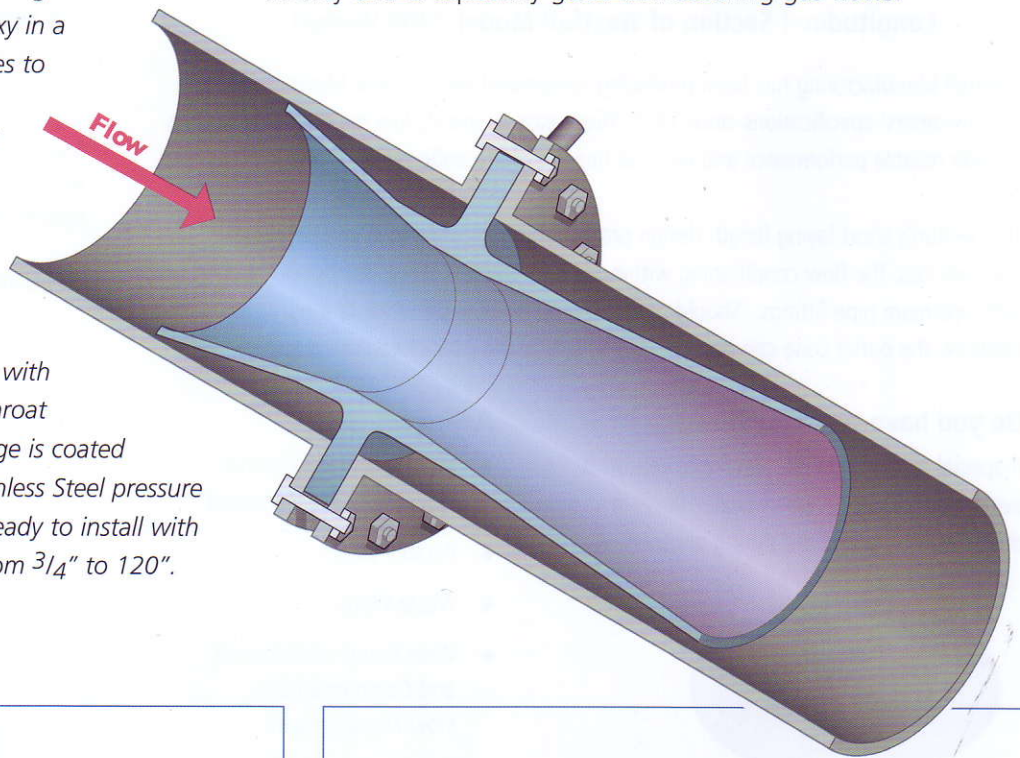
WESTFALL

Model 2300 Series Venturi Flow Meter

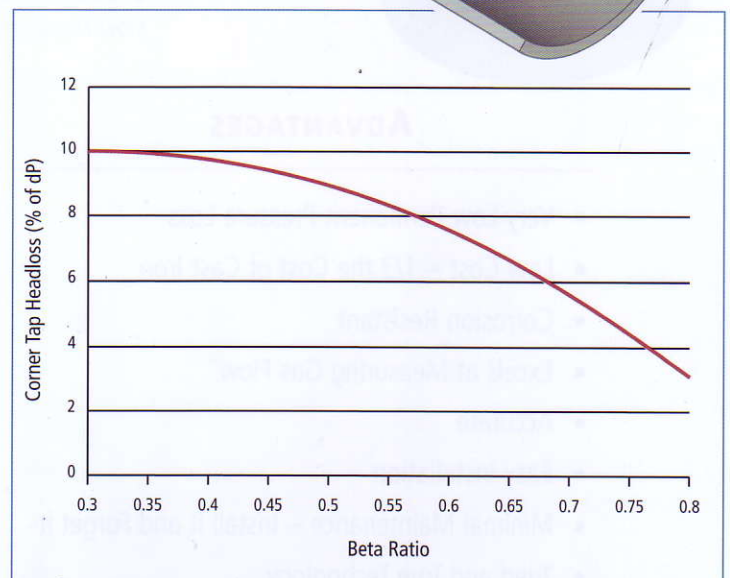
When Low Headloss is a Priority

The venturi is a mainstay for many applications because of its tried and true simplicity. The Westfall Model 2300 offers a short laying length, easy installation, corrosion resistance and minimal maintenance requirements, making it as economical as it is accurate and consistent. It's a better venturi for less money and is especially good at measuring gas flows.

The Westfall 2300 Venturi is made of Fiberglass Reinforced DERAKANE® Vinyl Ester Epoxy in a wide range of standard and custom sizes to meet your particular application. This material is dimensionally stable and will ensure accurate flow measurement for long life. It is highly corrosion resistant, self-scouring, and can accommodate a wide range of line fluids, line pressures and temperature conditions up to 350° F. It can be supplied with Bronze, Stainless Steel or other metal throat materials. The carbon steel holding flange is coated with Vinyl Ester Epoxy and has 316 Stainless Steel pressure connections. The Model 2300 comes ready to install with neoprene flange gaskets, to fit pipes from 3/4" to 120".

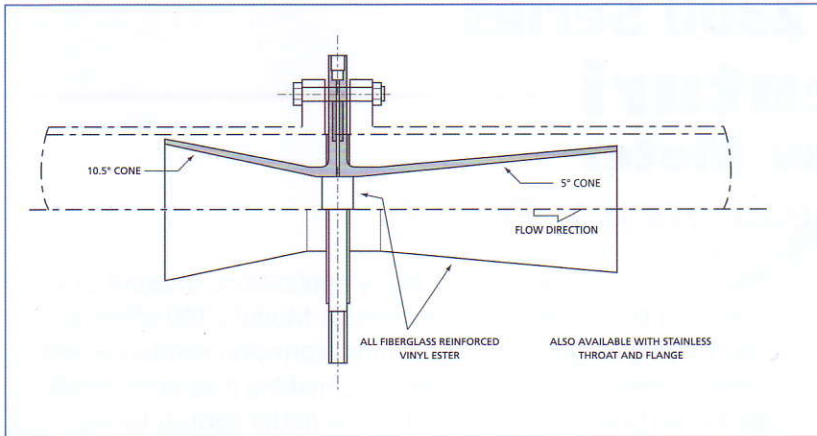


Piping Curve



Head Loss Curve

Simplicity. Accuracy. Reliability.



Longitudinal Section of Westfall Model 2300 Venturi

Westfall Manufacturing has been producing customized Venturi Flow Meters to meet our customers' specifications since 1958. These easy to install, low maintenance devices provide reliable performance and minimal headloss for a wide range of applications.

This venturi's short laying length design provides high accuracy and low permanent pressure loss. The flow conditioning within the inlet section allows for closer coupling with upstream pipe fittings. Should pressure drop be of importance in a particular piping network, the outlet cone can be extended to satisfy the user's headloss requirements.

Do you have two-way flow?

A special reverse flow bi-directional Venturi is available for systems where water flows in during one cycle and out during another.

APPLICATIONS

- ◆ Municipal and Industrial Flow Meter Measurement
- ◆ Potable Water
- ◆ Waste Water
- ◆ Wide Range of Industrial and Commercial Gas Flow Measurement

Sample for Quoting the 2300 Venturi

The following data is typically provided for venturi calculations.

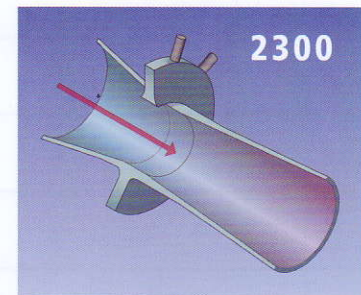
• SAMPLE •

Differential Producer Calculation

Pipe Diameter	12.000 Inches
Throat Diameter	7.200 Inches
Beta Ratio	0.600 Inches
Meter Type	Model 2300 Westfall Venturi
Throat Material	FRP
Line Fluid	Water
Rate of Flow	3,000 Gallons per Minute
Differential Pressure	98.67 Inches of Water
Head Loss	6.1 Inches of Water
Line Temperature	60 Degrees F
Line Pressure	25 PSIG
Line Relative Humidity	Percent
Standard Temperature	Degrees F
Standard Pressure	PSIG
Standard Relative Humidity	Percent
Specific Gravity	
Viscosity	1.122 Centipoise
Specific Heat Ratio	

Gallons per Minute Inches of Water

300	0.99
600	3.95
900	8.88
1,200	15.79
1,500	24.67
1,800	35.52
2,100	48.35
2,400	63.15
2,700	79.92
3,000	98.67



Westfall

Innovates

Others Imitate

ADVANTAGES

- Very Low Permanent Pressure Loss
- Low Cost – 1/3 the Cost of Cast Iron
- Corrosion Resistant
- Excels at Measuring Gas Flow
- Accurate
- Easy Installation
- Minimal Maintenance – Install it and Forget it
- Tried and True Technology
- Long Service Life

WESTFALL

Westfall Manufacturing Company

15 Broad Common Road • Bristol, RI 02809-2721 USA

Voice: Toll Free: 888-928-3747 or 401-253-3799

Fax: 401-253-6530 • E-mail: info@westfallmfg.net

www.westfallmfg.com